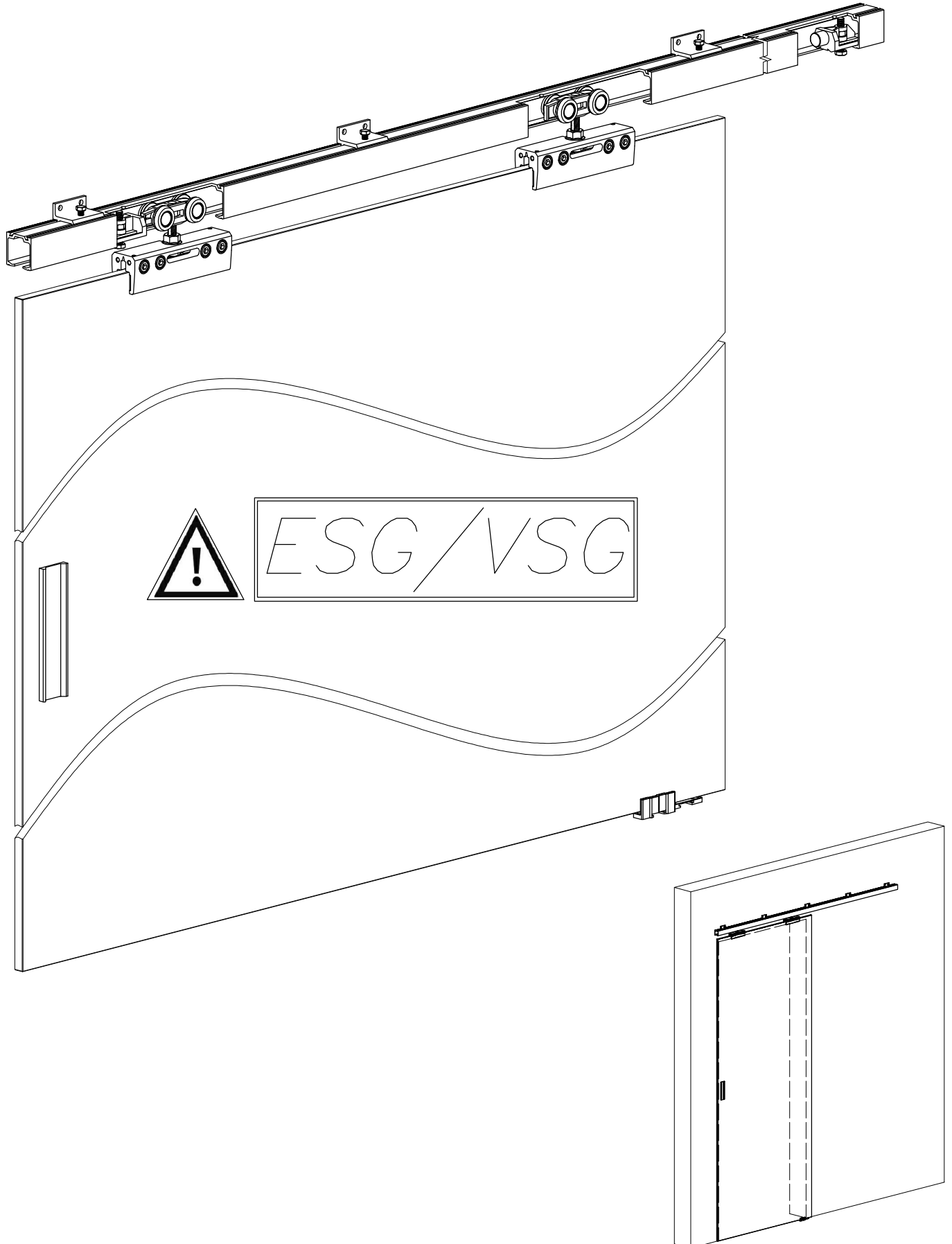
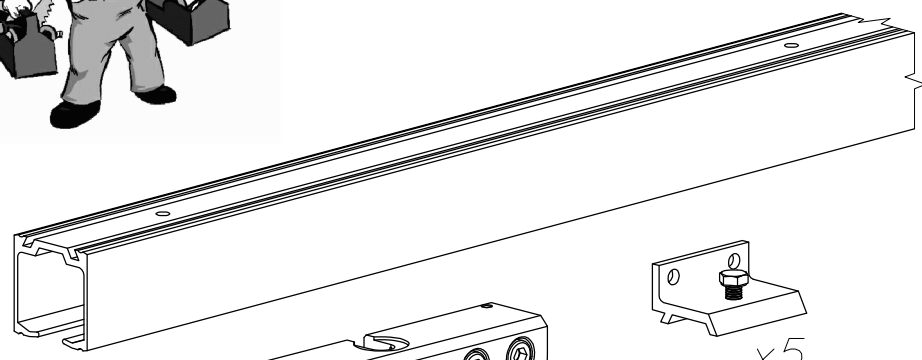
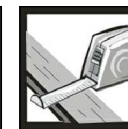
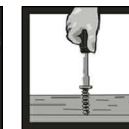




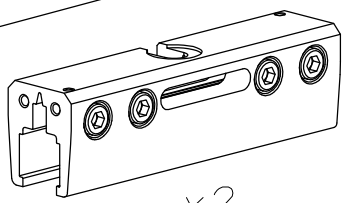
www.valcomp.pl

HERKULES GLASS

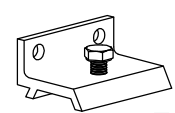




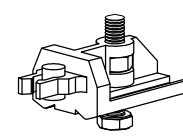
x1



x2



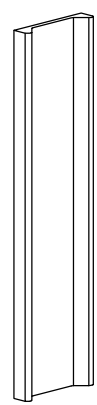
x5



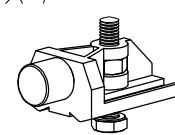
x1



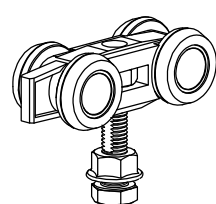
x1



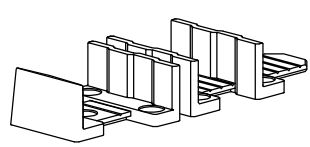
x2



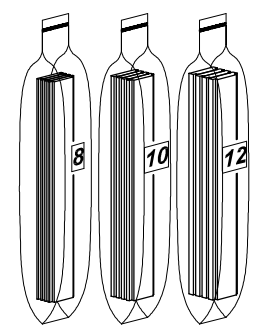
x1



x2



x1



x1

x1

x1



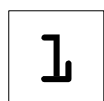
∅4x30
x10



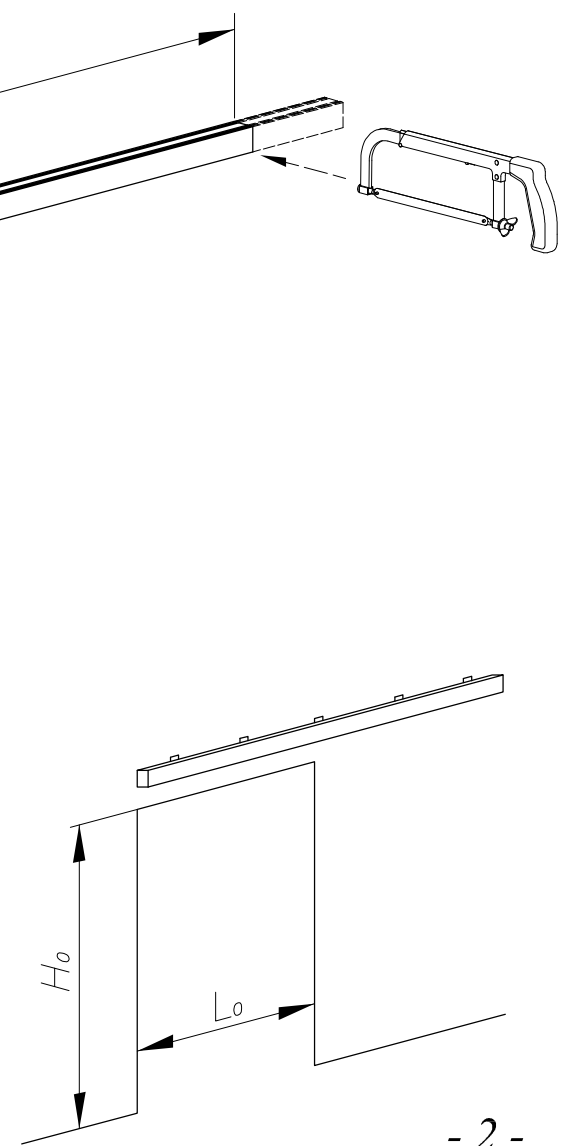
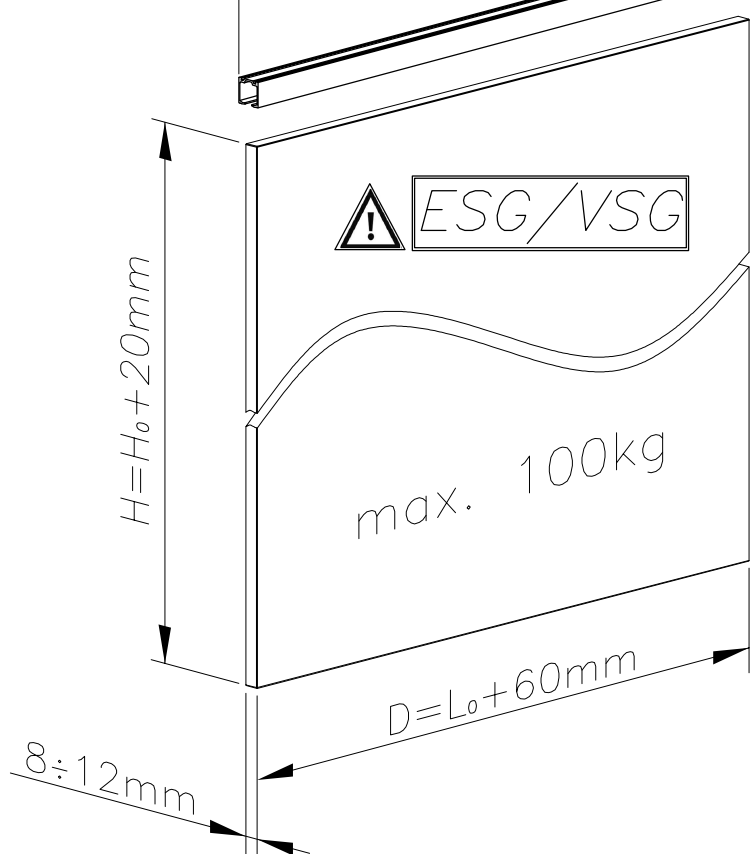
∅8x32
x10



∅4x16
x4



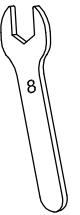
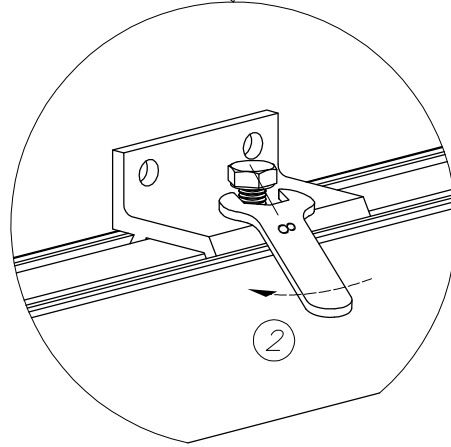
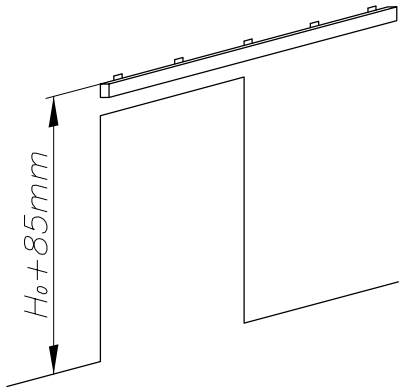
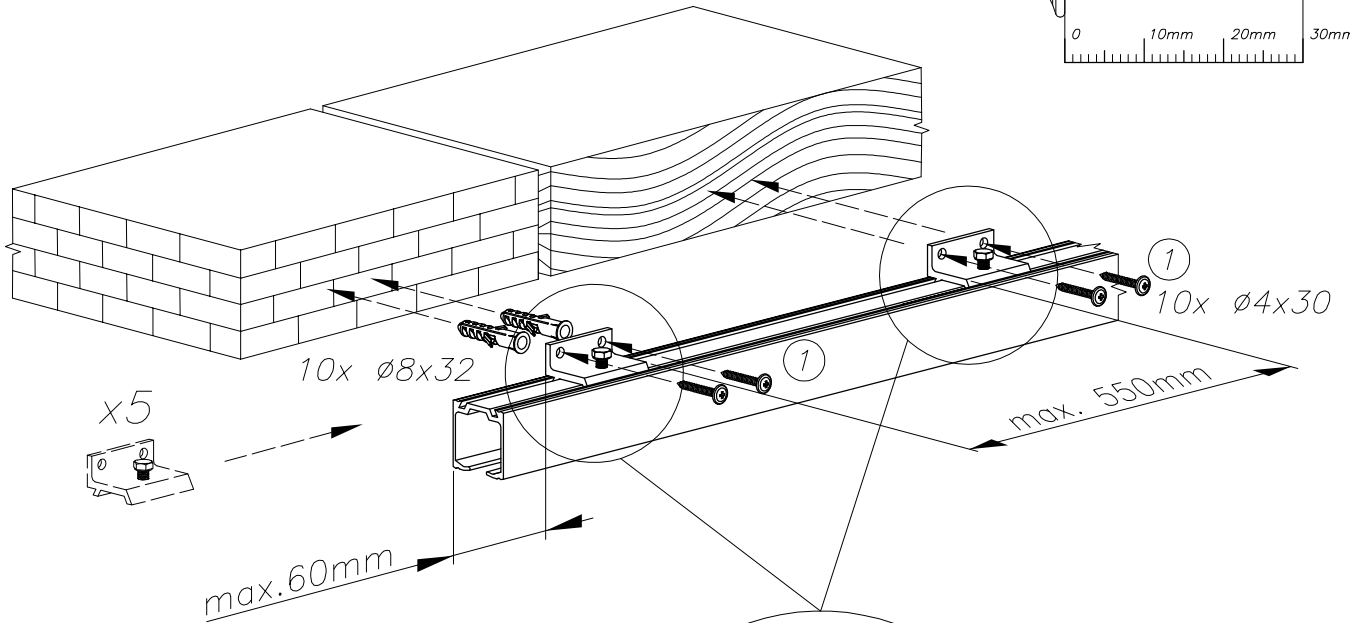
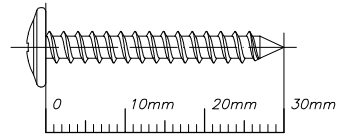
$$L = 2 \times L_0 + 40 \text{ mm}$$



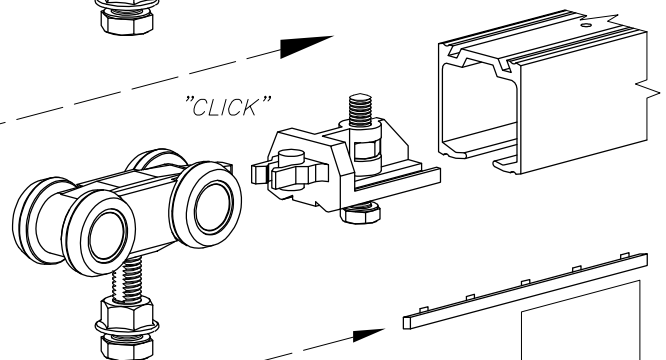
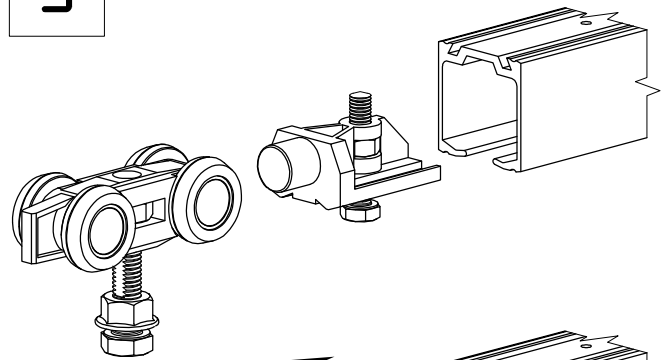
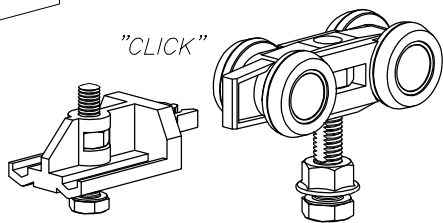
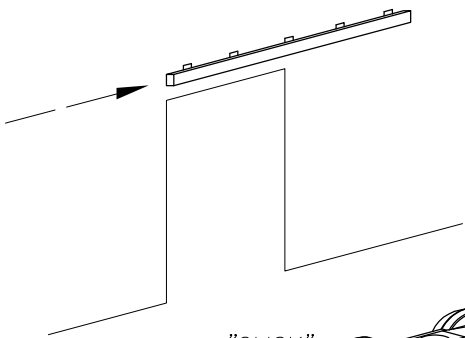


2

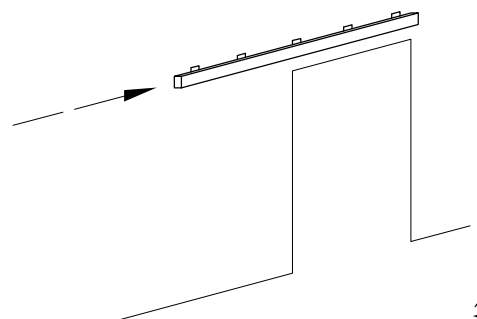
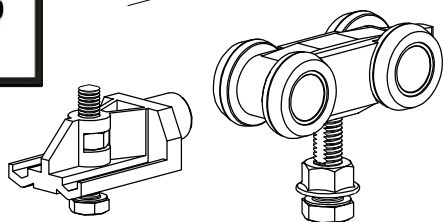
Ø4x30



3



?

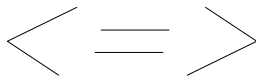
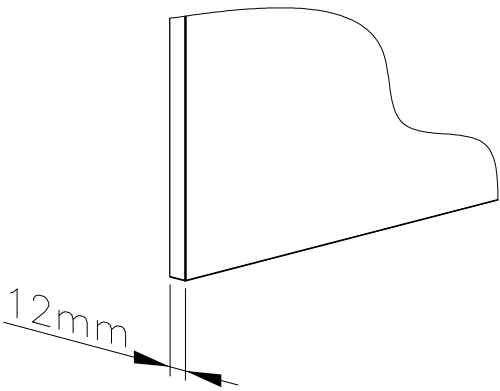
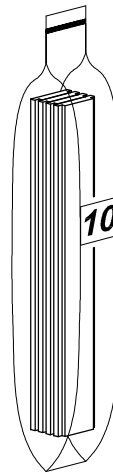
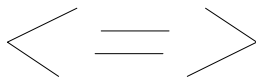
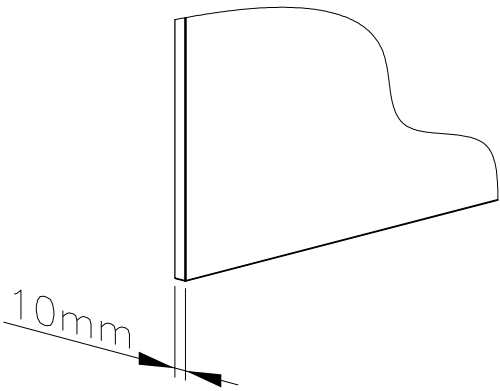
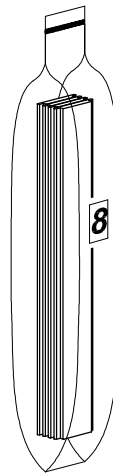
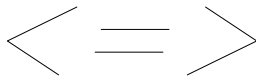
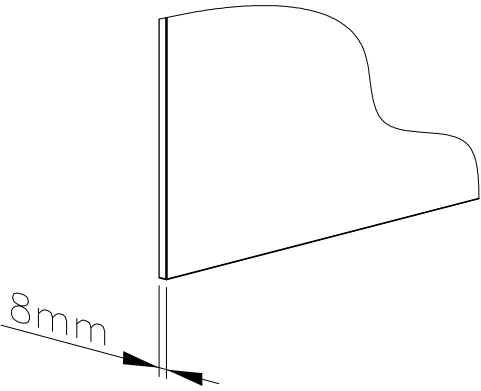
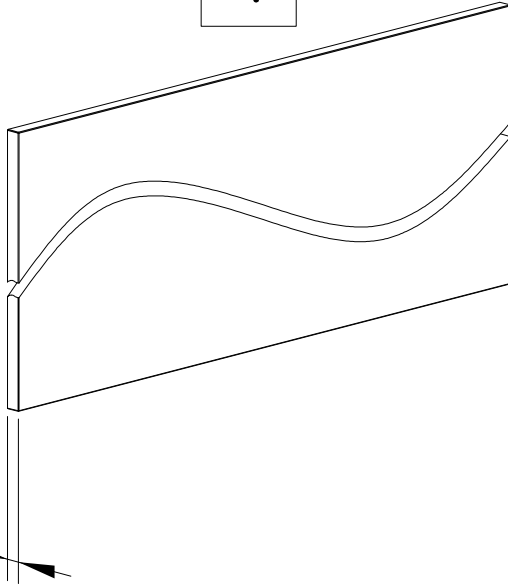




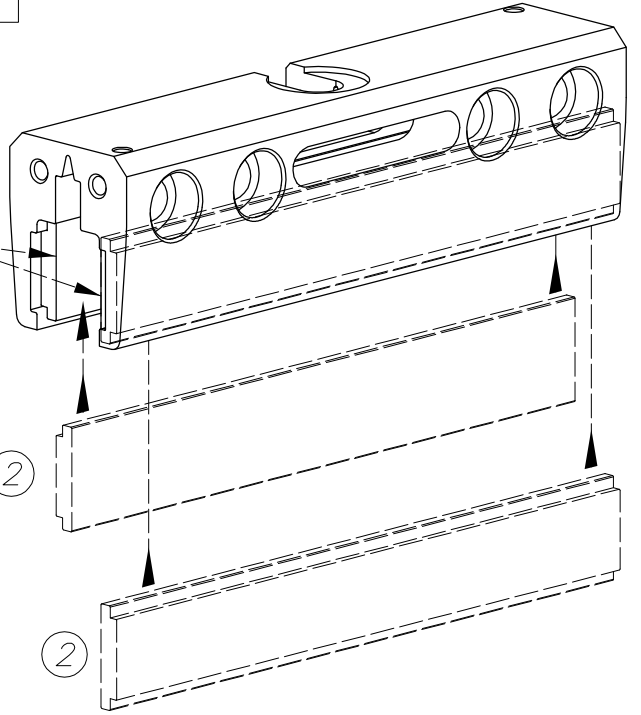
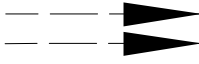
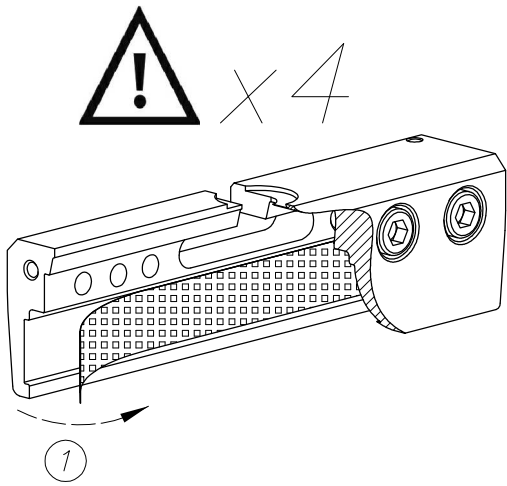
4

?

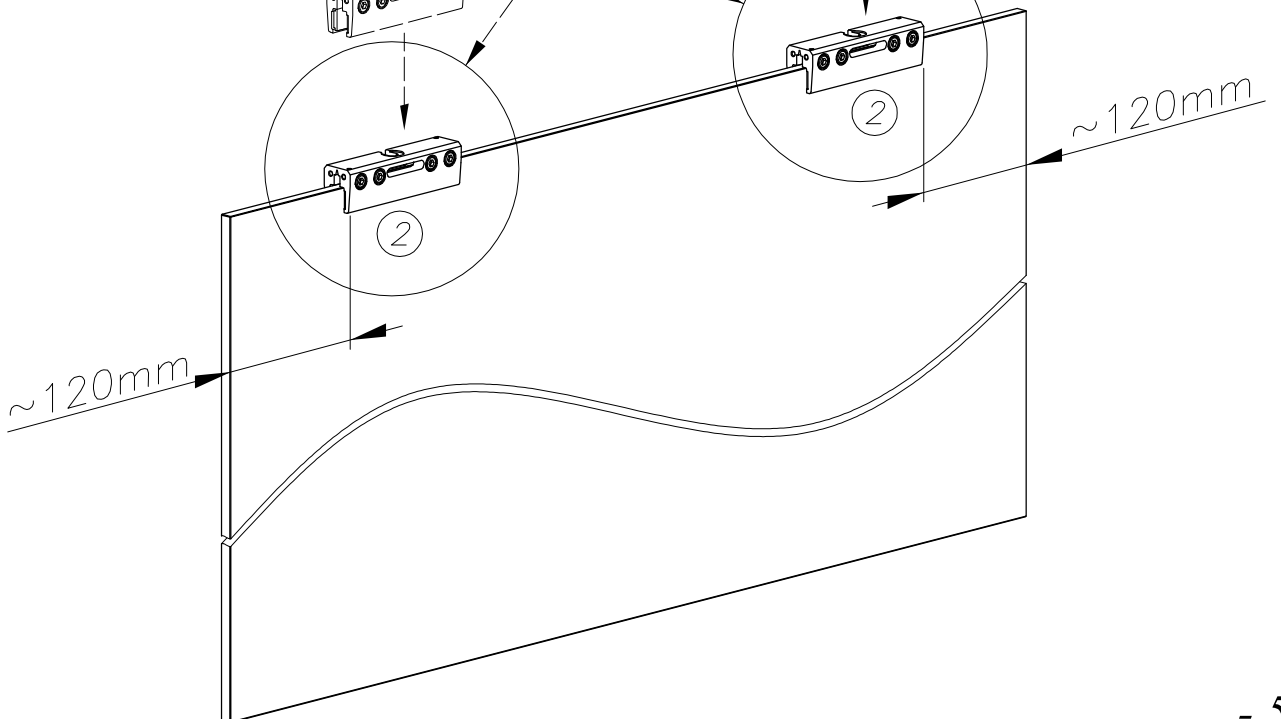
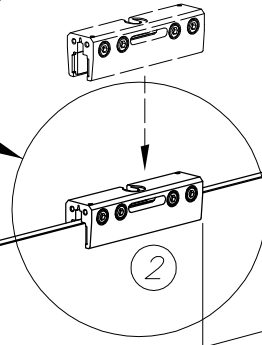
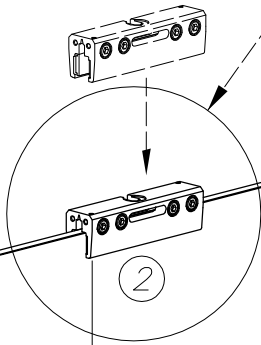
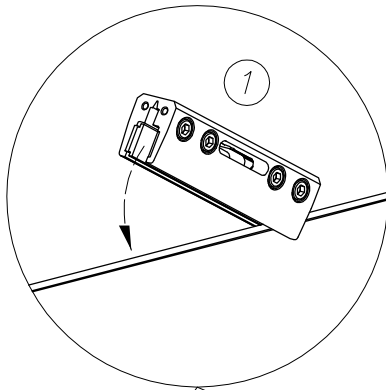
8÷12mm



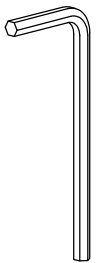
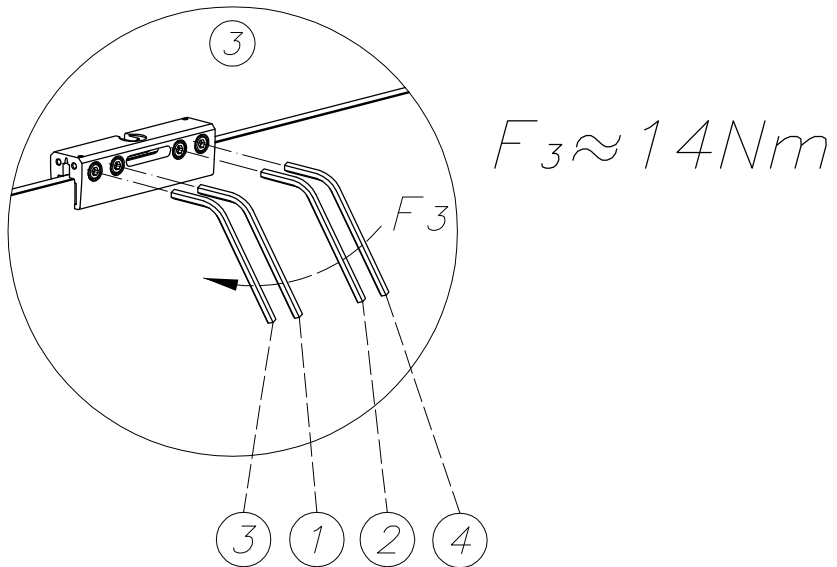
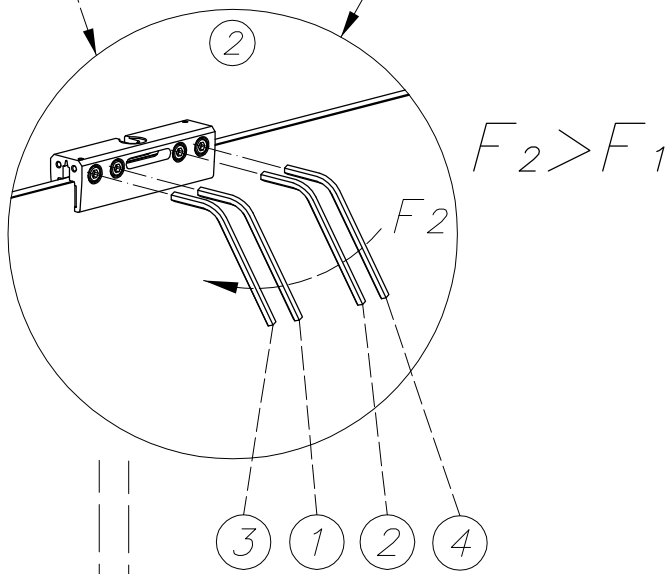
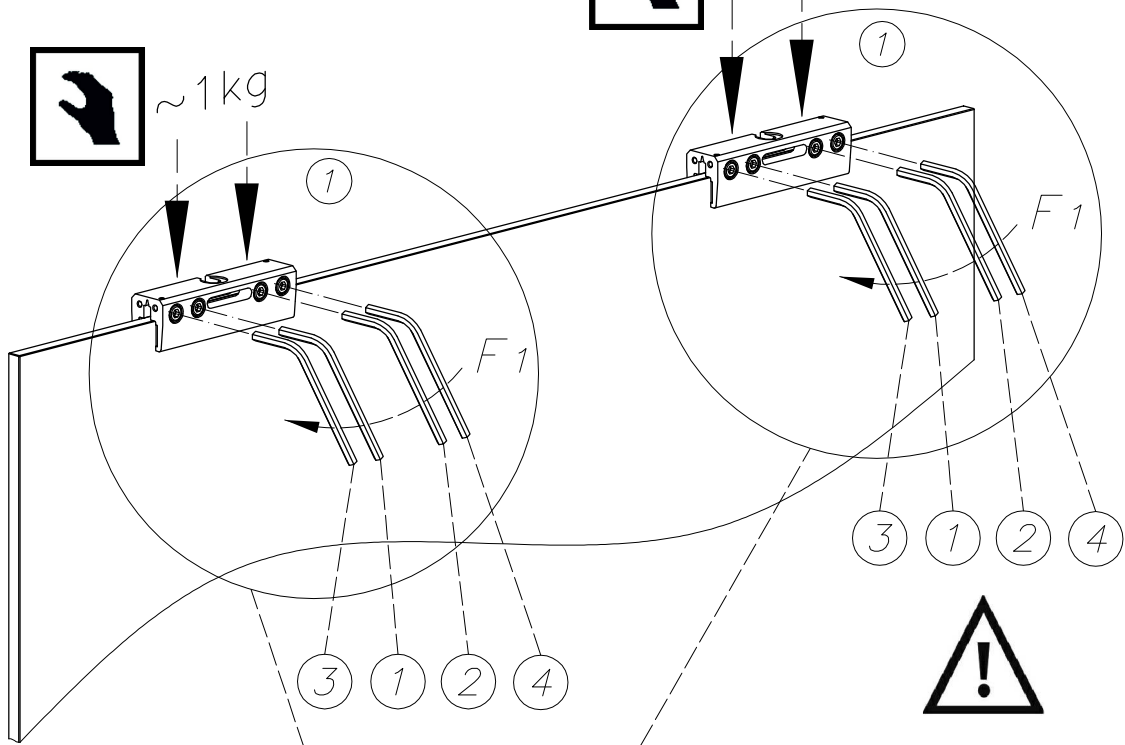
5

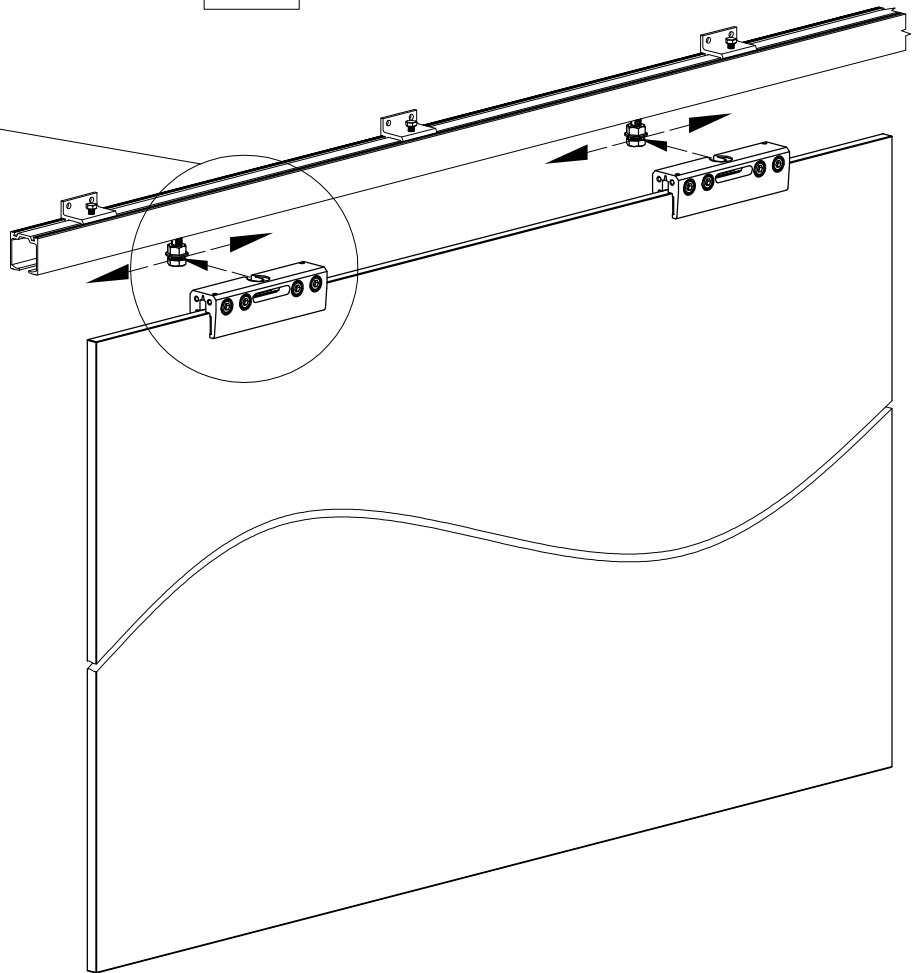
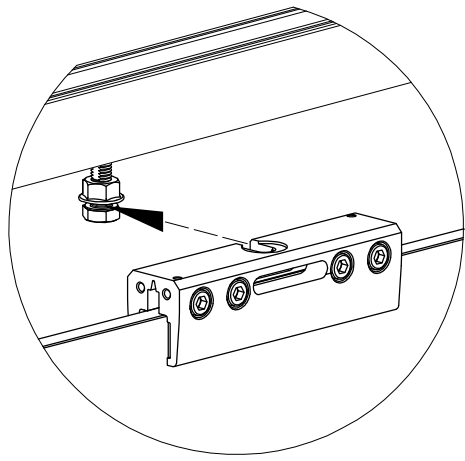


6

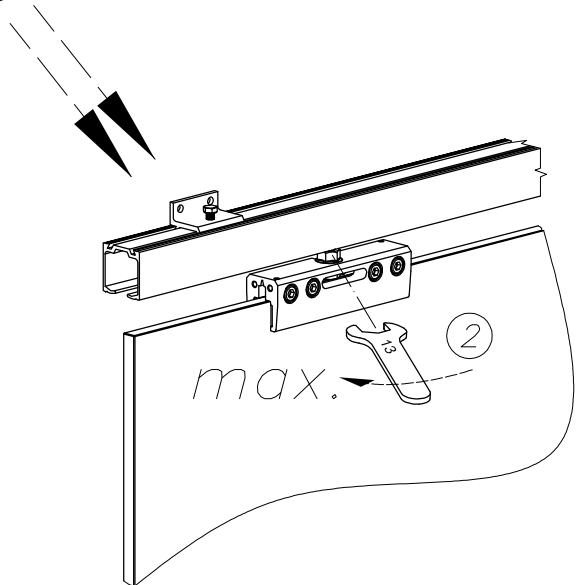
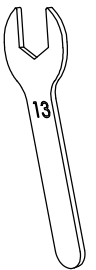
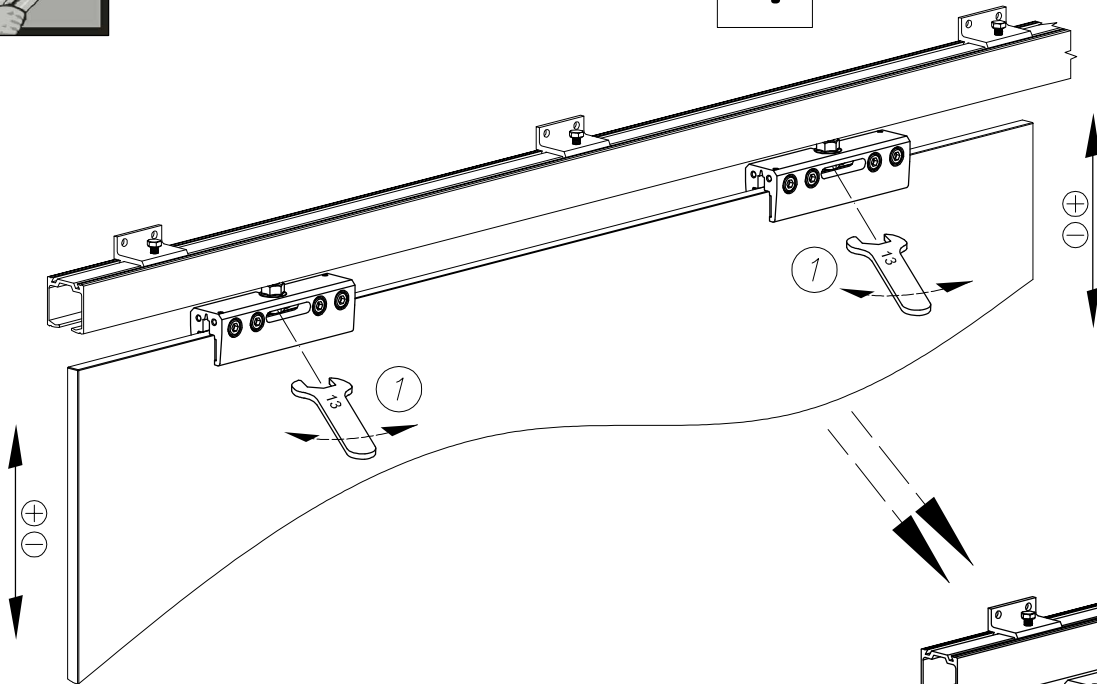


7





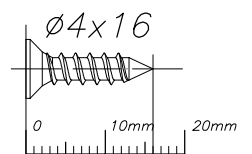
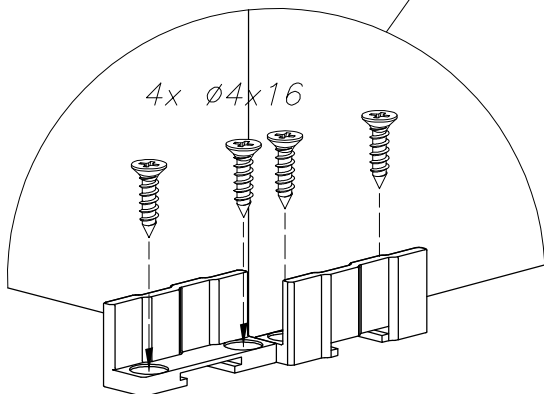
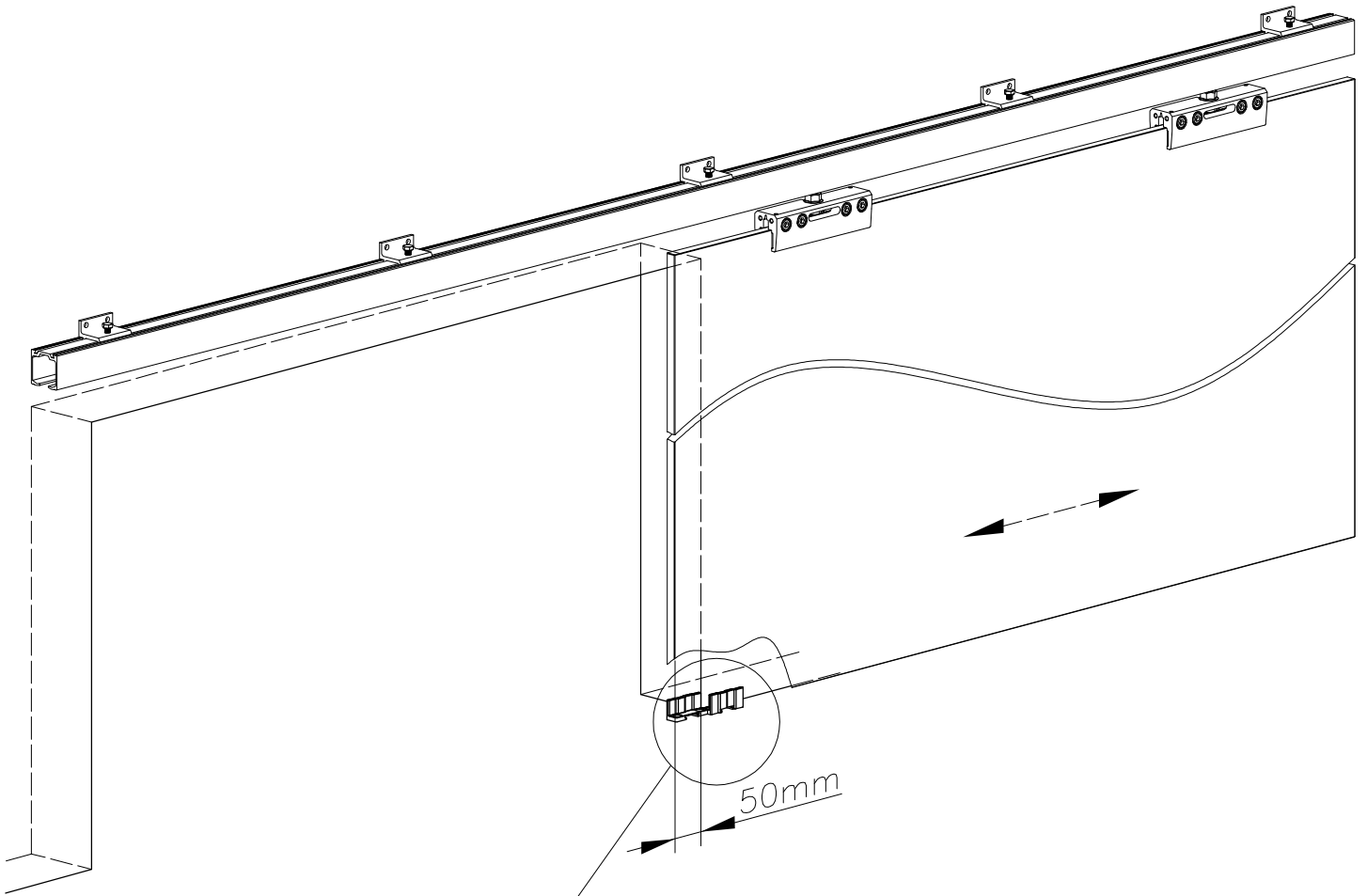
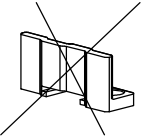
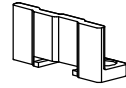
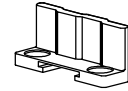
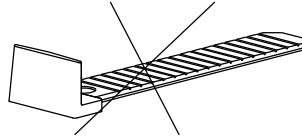
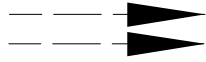
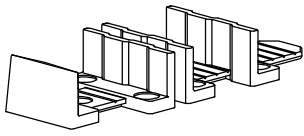
9



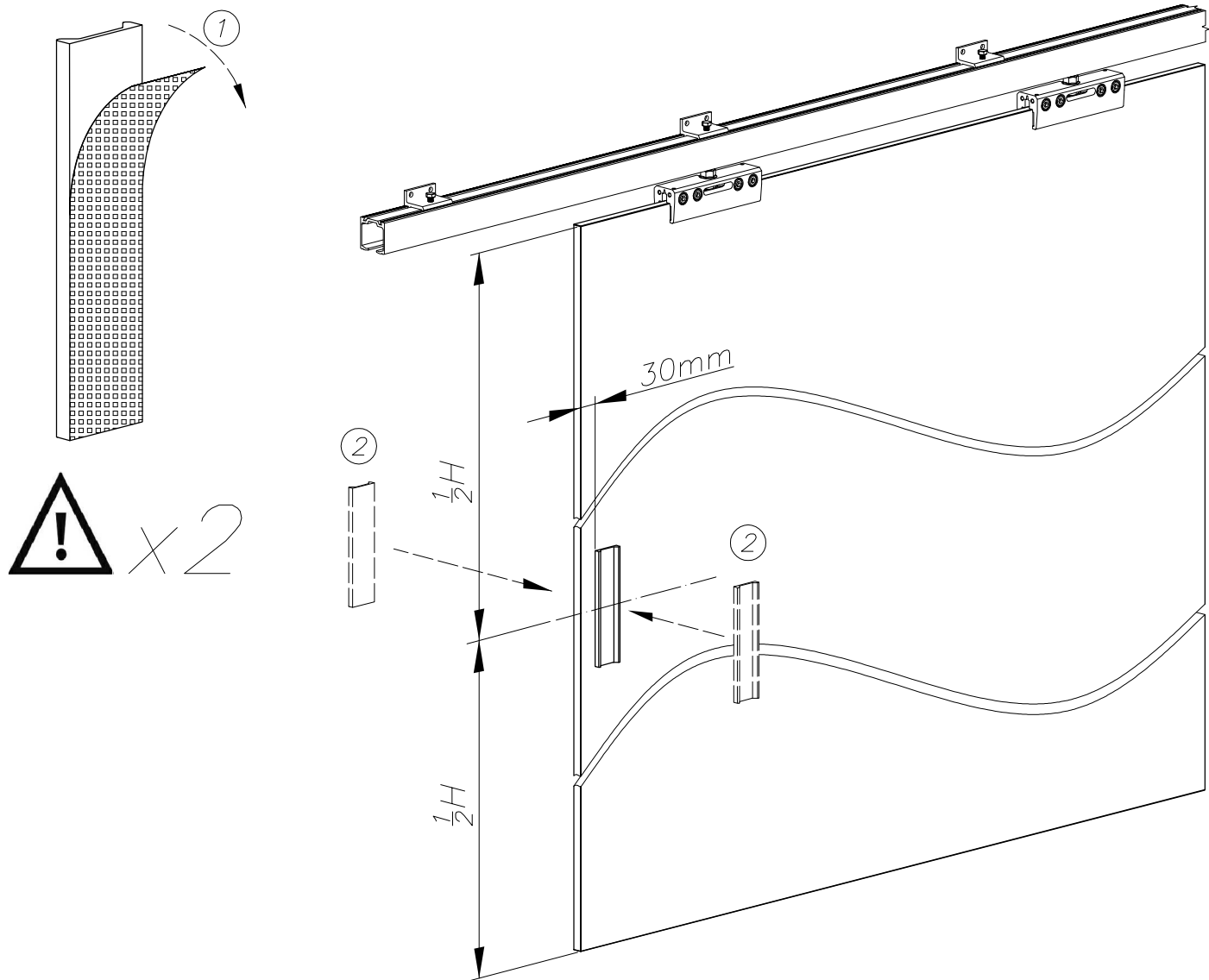


10

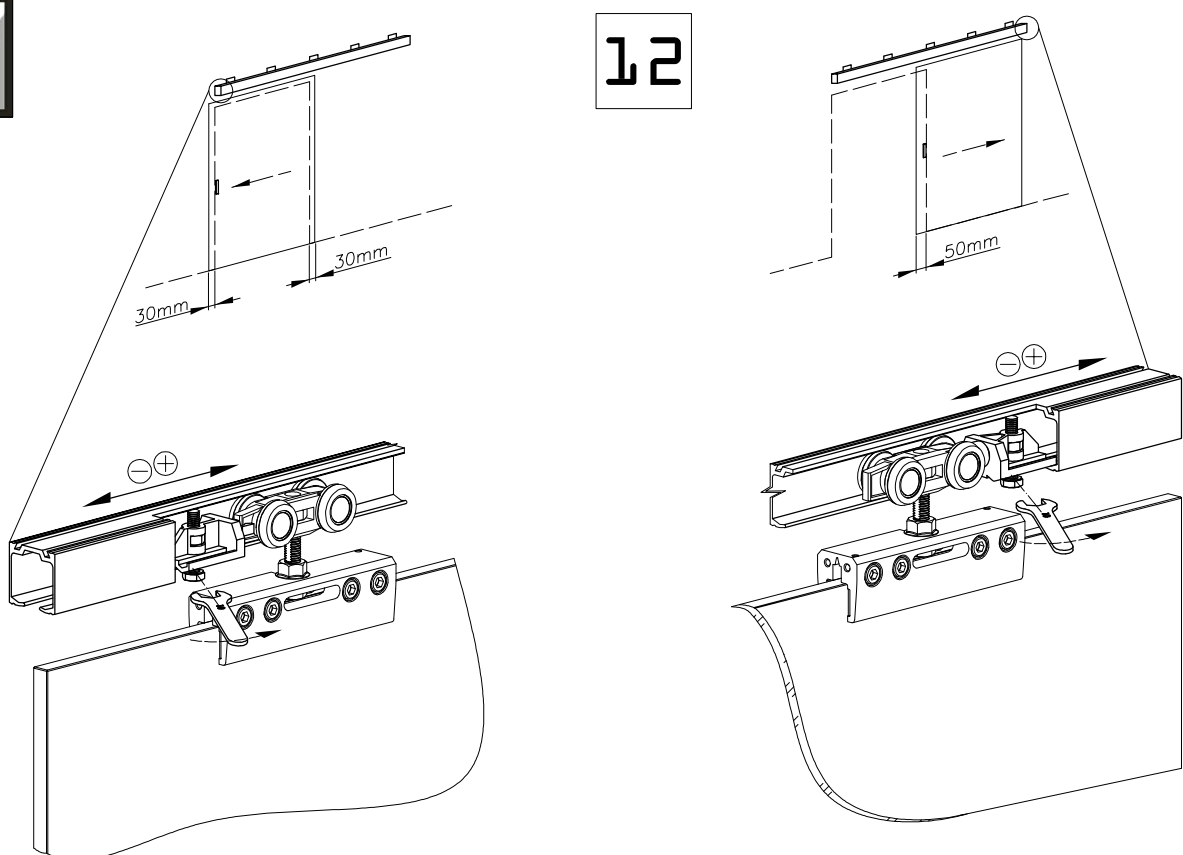
OK OK



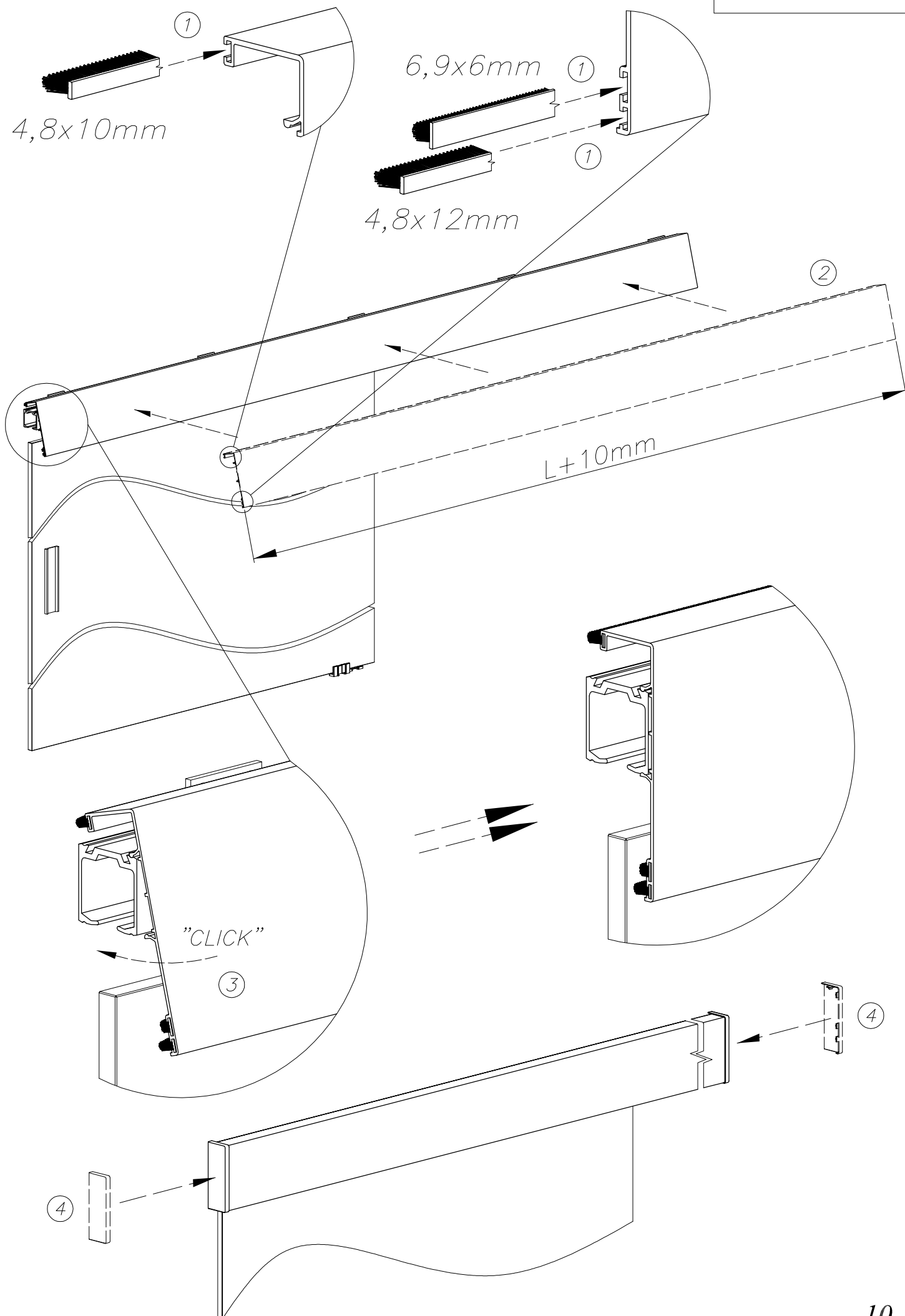
11

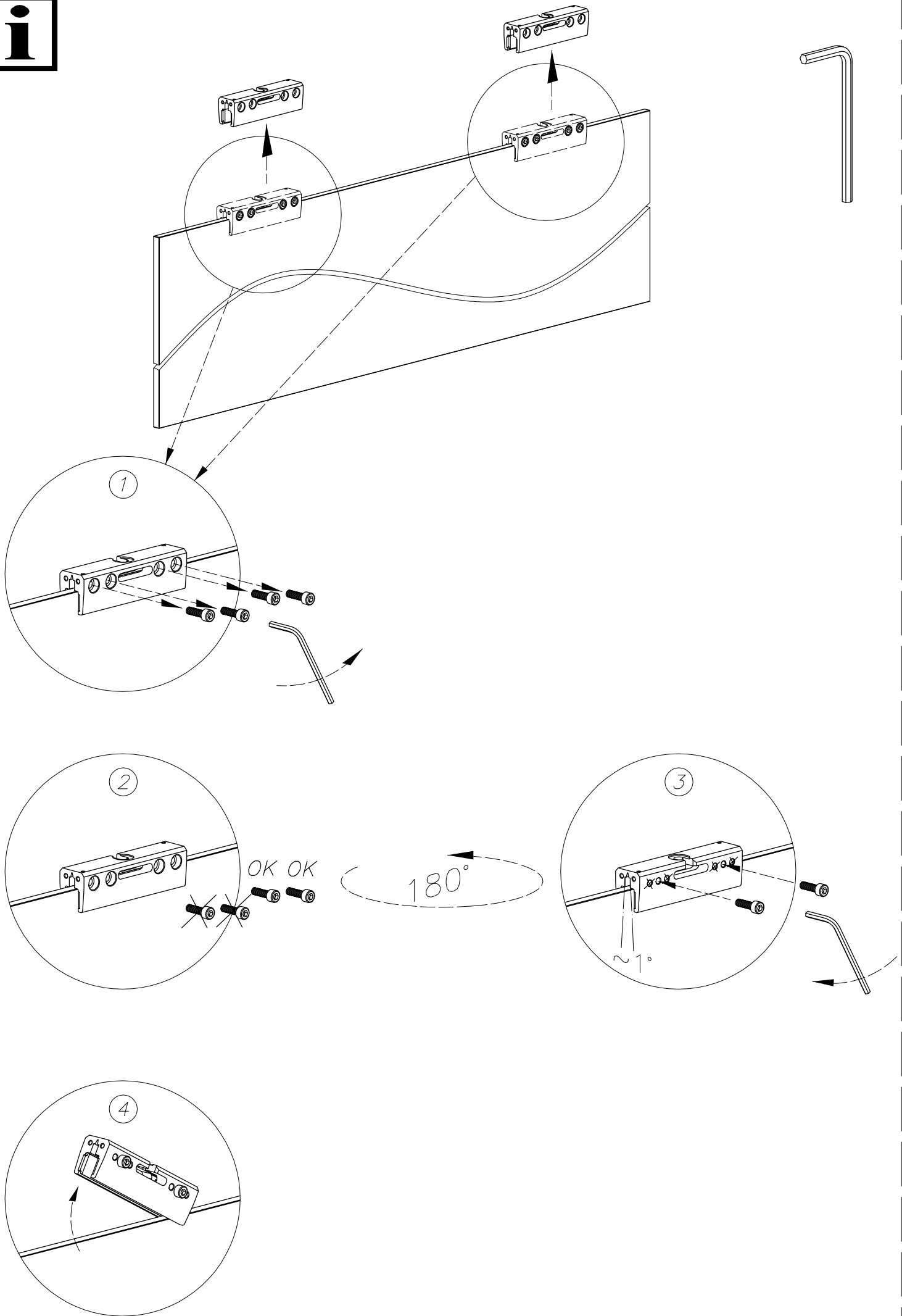


12



OPTIONS







www.valcomp.pl